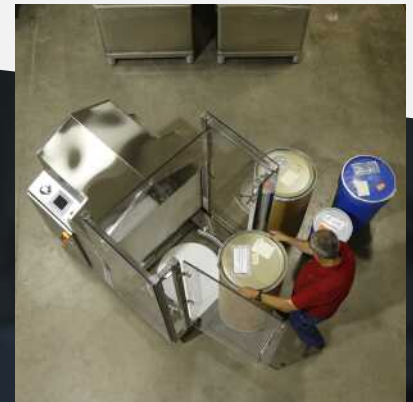


DRUM MASSAGER DM2-GMP

What's the safest and easiest way to break up hardened product in your drums or boxes? Enter the CPS Drum Massager. No matter the material, our massager can handle it. Discharging has never been easier!



From food to chemical to pharmaceutical, Custom Powder Systems and Integrated Containment Systems serve a multitude of industries as a leading provider in Dry Material Handling/Process Equipment. We design, manufacture, integrate, and test all of our systems in-house and our highly experienced technical services team will respond quickly to any need that arises. Whatever the powder handling question, we've got the answer.

APPRECIATE THE ART OF ENGINEERING

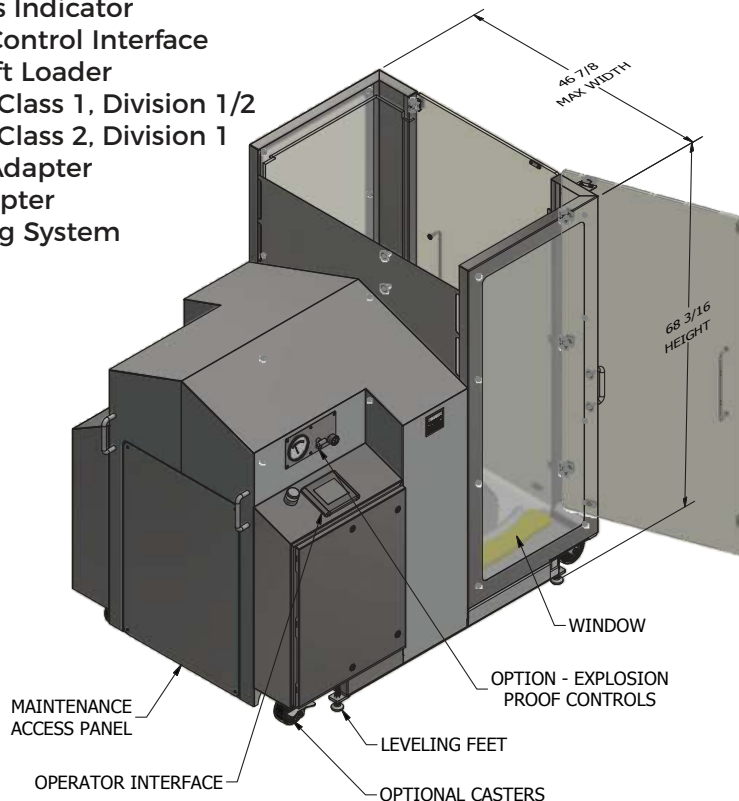
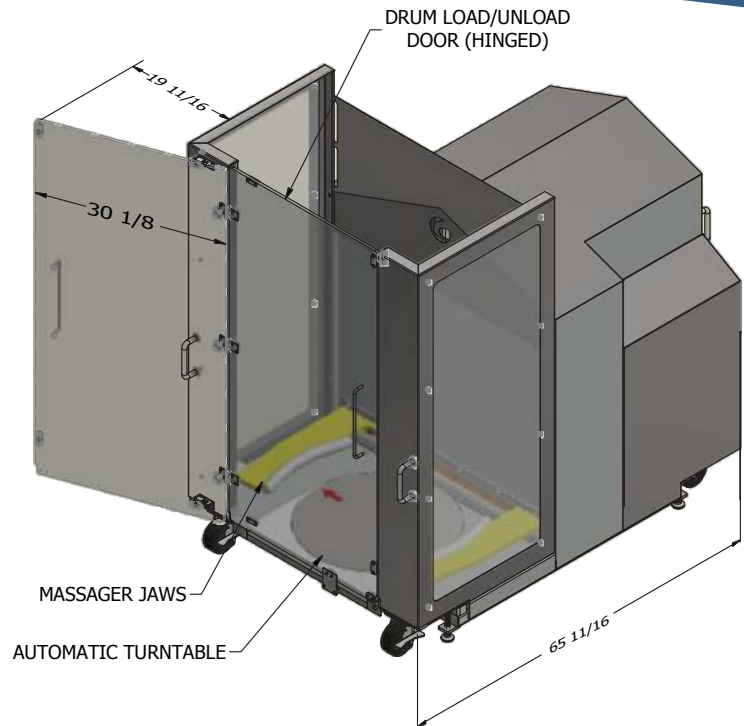
DRUM MASSAGER-DM2-GMP SPECIFICATIONS

BASIC FEATURES:

- 304 Stainless Steel
- 35 Ra u-inch Bright Polish Visible Material Finishes
- Easy-clean Pharmaceutical cGMP Design
- Handles 24-to-12-inch Diameter Fiber Drums and Plastic Drums Up to 38-inches Tall
- See-through Door With Sidewall Windows
- Washdown Design with NEMA 4X Electrical Enclosure Rating
- 6-inch Color Touchscreen Control Interface
- 115 VAC Single Phase 60 Hz - 20 Amp Power
- Allen Bradley MicroLogix PLC
- Rolling Shade Barrier Covering Machinery
- Jaw Pressure Control

UPGRADED FEATURE HIGHLIGHTS

- Casters
- Stacklight Status Indicator
- Left-Hand Side Control Interface
- Vacuum Tube Lift Loader
- Explosion-Proof Class 1, Division 1/2
- Explosion-Proof Class 2, Division 1
- Box Massaging Adapter
- Small Drum Adapter
- Conveyor Loading System



MAIN POWER OPTIONS

- 208 VAC Single Phase 60 Hz
- 230 VAC 3 Phase 60 Hz
- 460 VAC 3 Phase 60 Hz
- 575 VAC 3 Phase 60 Hz (Canada)
- 220 VAC Single Phase 50 Hz (International)
- 380 VAC 3 Phase 50 Hz (International)